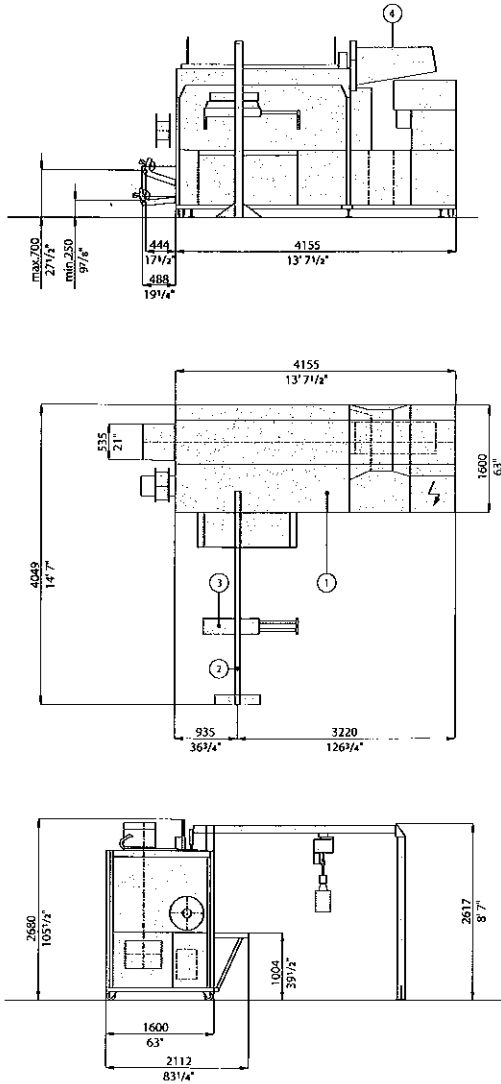
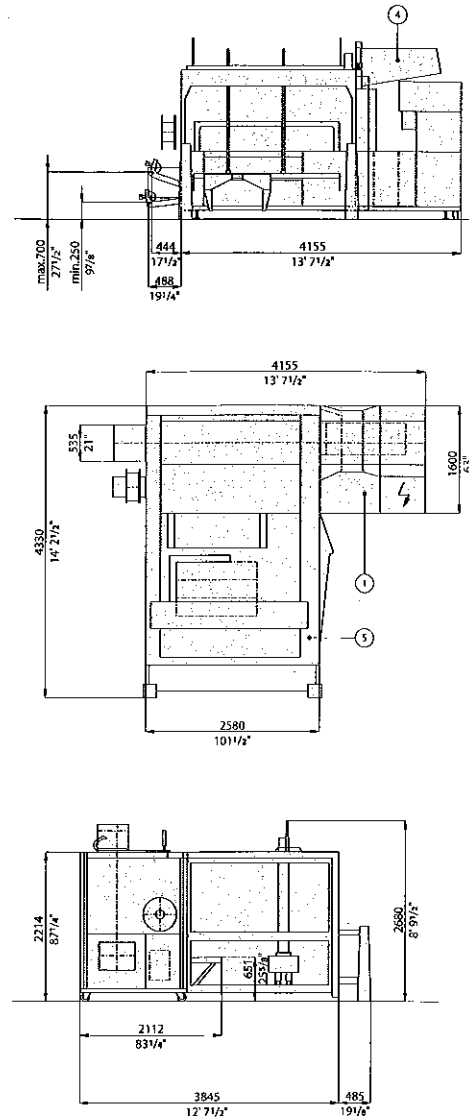


- 1 Vivo Log Stacker, model 447
- 2 Manual crane, model 447
- 3 Bundle clamp, model 277
- 4 Endboard feeder (optional)
- 5 Automatic palletizer, model 447

Manual palletizing



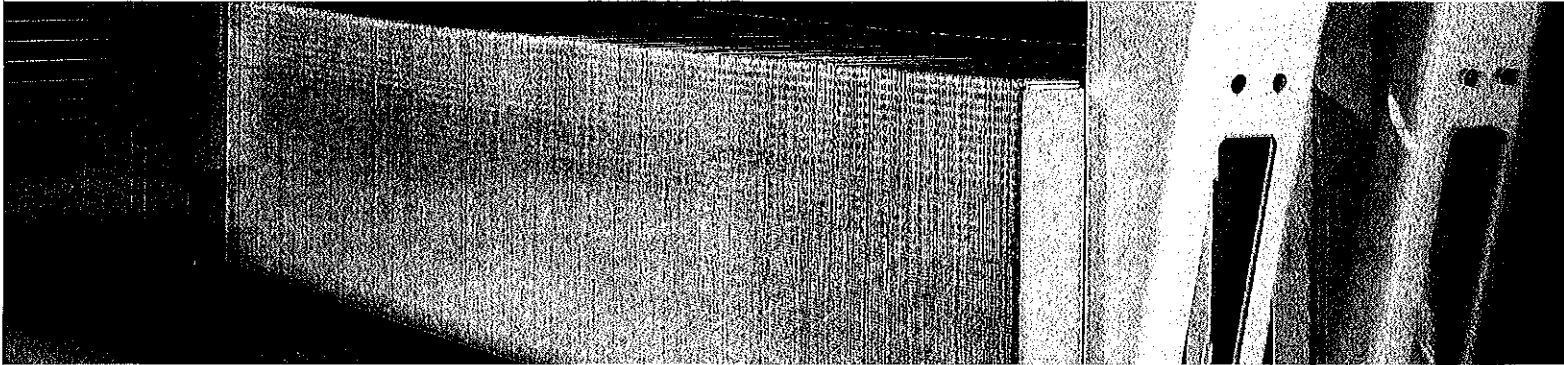
Automatic palletizing



Müller Martini Marketing AG
 Untere Brühlstrasse 13
 CH-4800 Zofingen, Switzerland
 Phone +41 (0)62 745 45 75
 Fax +41 (0)62 751 55 50
 info@mullermartini.com
 www.mullermartini.com

Vivo Log Stacker

Specifications



Range of application		Offset and gravure signatures
Mechanical infeed speed		maximum 0.8 meters (31 1/2") per second
Cycle time		minimum 50 seconds per log*
Product size		maximum 480 mm x 320 mm* (18 7/8" x 12 5/8") minimum 200 mm x 110 mm* (7 7/8" x 4 1/4")
Page count		minimum 8 pages* maximum 32 pages*
Bundle length		500 mm – 1200 mm (19 5/8" – 47 1/4")
Strapping system		Strapex or Mosca
Strapping		12 mm (1/2") polypropylene (PP)*
Shingle spacing		minimum 40 mm (1 1/2")
Pallet type		Euro I, Euro II und Euro III*
Stack height		maximum 1450 mm (57") (including pallet)
Power consumption		4 kW
Compressed air consumption	6 bar	maximum 8 Nm ³ at 6 bar (5 cfm at 90 psi)
Weight		2550 kg (5,600 lbs.)

Options:

Endboard feeder	Endboard hopper capacity	100 endboards, 10 mm (0.4") thick
	Endboard thickness	minimum 5 mm (0.2")
		maximum 13 mm (0.5")
	Endboard specifications	by German "Bundesverband" printing directive – article no. 86629
	Weight	150 kg (330 lbs)
Waste gate	Weight	50 kg (110 lbs)
Automatic palletizer	Weight	500 kg (1,100 lbs)

*other specifications on request.