



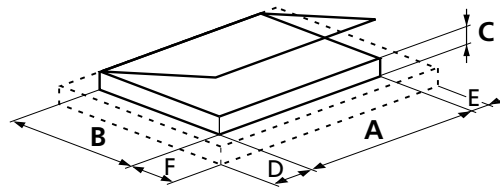
Zenith S Three-knife Trimmer

Specifications

Mechanical speed 2000 to 7000 cycles per hour

with thin book
hopper (optional) max. 10,000 books per hour

Sizes:



untrimmed (standard)	max.	384 mm 15 1/8" (A+D+E)	X	340 mm 13 3/8" (B+F)	
	min.	140 mm 5 1/2" (A+D+E)	X	73 mm 2 7/8" (B+F)	
Large size (option)	max.	445 mm 17 1/2" (A+D+E)	X	340 mm 13 3/8" (B+F)	
Small size (option)	min.	110 mm 4 3/8" (A+D+E)	X	73 mm 2 7/8" (B+F)	
trimmed (standard)	max.	304 mm 12" (A)	X	310 mm 12 3/16" (B)	
	min.	136 mm 5 3/8" (A)	X	100 mm 4" (B)	
Large size (option)	max.	434 mm 17" (A)	X	310 mm 12 3/16" (B)	
Small size (option)	min.	100 mm 4" (A)	X	70 mm 2 3/4" (B)	
Book thickness (standard)	max.	70 mm 2 3/4" (C)			
	min.	2 mm 5/64" (C)			
Thin book hopper	min.	1,5 mm 1/16" (C)			
Trim	Front	max.	40 mm 1 9/16" (F)		
		min.	3 mm 1/8" (F)		
	Head/Foot	max.	40 mm 1 9/16" (E/D)		
		min.	5 mm 3/16" (E/D), cutting cassette 1		
	min.	2 mm 5/64" (E/D), cutting cassettes 2-28			

Power requirements 14 kW

Air requirements 40 Nm³/h at 6 bar (24 cfm at 87 psi)

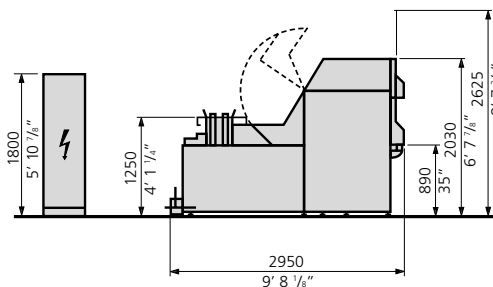
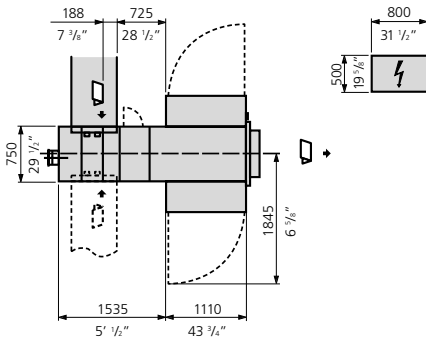
Weight 3800 kg (8360 lbs)

Size range of the cutting table cassettes

Size capability	Cassette number	Size range
Small sizes (optional)	1	100 to 112 mm 4" – 4 3/8"
	2	112 to 124 mm 4 3/8" – 4 7/8"
	3	124 to 136 mm 4 7/8" – 5 3/8"
Standard sizes	4	136 to 148 mm 5 3/8" – 5 3/4"
	5	148 to 160 mm 5 3/4" – 6 1/8"
	6	160 to 172 mm 6 1/8" – 6 3/4"
	7	172 to 184 mm 6 3/4" – 7 1/4"
	8	184 to 196 mm 7 1/4" – 7 3/4"
	9	196 to 208 mm 7 3/4" – 8 3/16"
	10	208 to 220 mm 8 3/16" – 8 5/8"
	11	220 to 232 mm 8 5/8" – 9 1/8"
	12	232 to 244 mm 9 1/8" – 9 5/8"
	13	244 to 256 mm 9 5/8" – 10"
	14	256 to 268 mm 10" – 10 1/2"
	15	268 to 280 mm 10 1/2" – 11"
	16	280 to 292 mm 11" – 11 1/2"
	17	292 to 304 mm 11 1/2" – 12"
	Large sizes > A4 (optional)	18
19		316 to 328 mm 12 7/16" – 12 7/8"
20		328 to 340 mm 12 7/8" – 13 3/8"
21		340 to 352 mm 13 3/8" – 13 7/8"
22		352 to 364 mm 13 7/8" – 14 5/16"
23		364 to 376 mm 14 5/16" – 14 3/4"
24		376 to 388 mm 14 3/4" – 15 1/4"
25		388 to 400 mm 15 1/4" – 15 3/4"
26		400 to 412 mm 15 3/4" – 16 1/4"
27		412 to 424 mm 16 1/4" – 16 3/4"
28		424 to 434 mm 16 3/4" – 17 1/8"

Other sizes on request.

Design, measurements and specifications subject to change.



MÜLLER MARTINI

Müller Martini Marketing AG

Untere Brühlstrasse 13

CH-4800 Zofingen, Switzerland

Phone ++41-62/745 45 75

Fax ++41-62/751 55 50

E-mail info@mullermartini.com

Internet <http://www.mullermartini.com>